

Examination Light

# AIM-50

The perfect combination of high intensity, performance, limitless rotation and unparalleled aesthetics.



**PHILIPS**  
**burton**

Examination Light

# AIM-50

Limitless rotation, class-leading intensity and endless versatility.

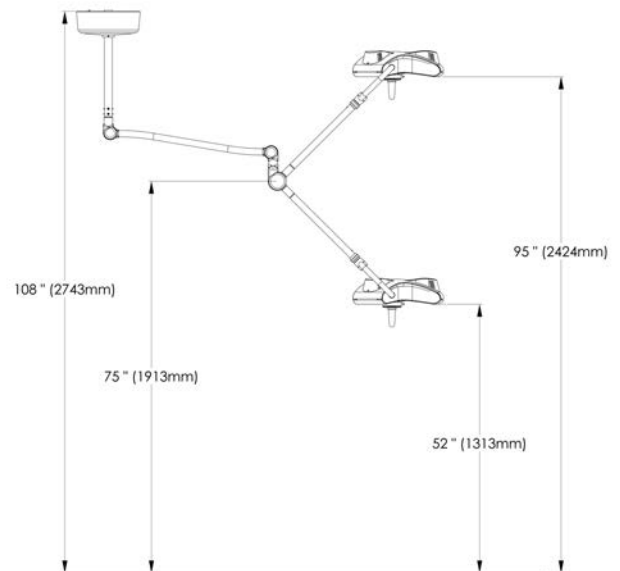
Providing both amazing value and unparalleled aesthetics, Burton's AIM-50 also boasts limitless rotation on ceiling mounts (a feature previously available only on OR type lights). Along with highest intensity illumination, AIM-50 delivers very smooth focus and superior maneuverability. A longer arm system ensures it can be positioned in the widest range of positions possible, making it ideal for examination applications.

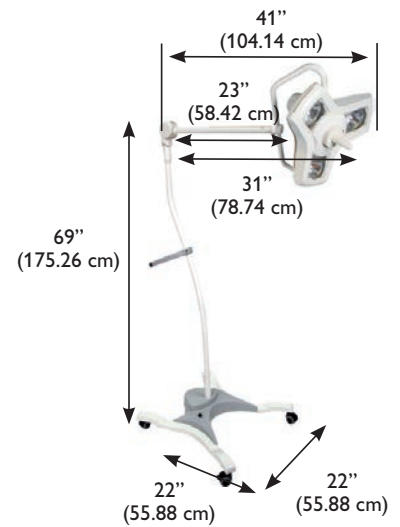
Designed to meet even the most demanding healthcare facility's specifications for high-intensity, cool operation and low cost.



## Features

- High-intensity of 45,000 lux (4181 fc) at 1 meter
- 3100 K color temperature offers natural and true coloring
- High CRI (Color Rendering Index) of 96
- Uses three quartz halogen bulbs – each rated with a 2000-hour bulb life. Bulbs wired in parallel for continuous operation
- Compact 20" (51 cm) diameter lighthead
- Extremely smooth focus mechanism with center sterilizable handle
- 360° limitless arm and mounting system rotation around vertical axes (on single ceiling models)
- Cool operation for long hours of use
- 120V standard; 100 and 230 / 240V models available
- IEC/UL 60601-1 / IEC 60601-2-41 / IEC/EN 60601-1-2; CAN/CSA C22.2 601-1 M90 certified
- CE marked
- 5-year limited warranty
- Assembled in USA





## Ordering Information

AIM-50					
120V Model	230V Model	230V SP Model*	240V Model	100V Model	Description
A50FL	A53FL	A54FL25	A52FL	A51FL	Floorstand
A50SC	A53SC	A54SC25	A52SC	A51SC	Single Ceiling Mount
A50DC	A53DC	A54DC25	A52DC	A51DC	Double Ceiling Mount
A50W	A53W	A54W25	A52W	A51W	Wall Mount

Accessories	Description
6000120K	Set of 3 AIM-50 Replacement Bulbs
1017084	42" Drop Tube
1017040	Sterilizable / Autoclavable Handle
0008100PK	Disposable Handle Covers, 25/Box

\*SP Model refers to Spanish Language Manuals.

## Summary of technical data

Illuminance:*	45,000 lux (4181 fc) at 1 meter
Color temperature:	3100 K
CRI	96
Light sources (halogen):	50 W, 12V, bi-pin
Power:	184 Watts
Total weight:	54 lbs. (floorstand), 64 lbs. (single ceiling)

## AIM-50 Technical Specs

Diameter of lighthouse:	20" (51 cm)
Light field diameter:	9.6" - 12" (25 cm - 31 cm)
Depth of Illumination:	47" (119 cm)
Focusing:	Adjustable by rotating center handle
Rotation:	360° (limitless) on single ceiling models
Sterilizable handle:	Locks into position with one hand
Number of bulbs:	3
Rated life of halogen lamp:	2,000
Swivel radius of lamp housing-ceiling mounted:	63" (160 cm) max.* *
Minimum ceiling height/maximum ceiling height:	8 ft. / 12 ft. (244 cm / 366 cm)
Height movement of lamp housing-ceiling mounted:	41" (104 cm) vertical movement
Mounting options:	Single Ceiling, Double Ceiling, Floor and Wall
Seismic calculations available:	Yes
Bulb change mechanism:	Changes from top with Phillips screwdriver
Replacement bulbs:	AIM-50 replacement bulbs, sterilizable handles and disposable handle covers are available
Applications:	Emergency Room, Examination Room, Ophthalmology and Clinics
Certifications/Approvals:	IEC/UL 60601-1 / IEC 60601-2-41 / IEC/EN 60601-1-2; CAN/CSA C22.2 601-1 M90 certified; CE marked
Product warranty:	5-year parts and labor
Origin:	Assembled in the USA

\* The optical data are at nominal values based on measurements done according to the UL/IEC performance standards at 120V

\*\* With extension arm and spring arm extended from center of mount to center of head

©2016 Koninklijke Philips N.V. All rights reserved.  
Philips reserves the right to make changes in specifications and/or to discontinue any product at any time without notice or obligation and will not be liable for any consequences resulting from the use of this publication.

Phone (800) 444-9909, Fax (847) 451-0744



Philips Burton  
11500 Melrose Avenue  
Franklin Park, IL 60131  
Burtonmedical.com

**PHILIPS**  
**burton**