



The brightest ideas in lighting

Medical lighting catalog

PHILIPS
burton

The brightest



ideas in lighting

Content



04 Introduction

06 The right light

10 Examination lights

12 Nova Exam LED

14 AIM LED

16 AIM-50

18 Super Exam 50 LED

19 Super Exam 50

20 Super Bright Spot

21 Gleamer

22 Outpatient LED

24 Outpatient II

25 CoolSpot II

26 Outpatient II / CoolSpot II
combination models

28 Surgical lights

30 AIM-100

32 AIM-200 OR

34 APEX

36 XenaLux

38 Magnifiers

40 UV Light

42 Wave LED

43 Epic Magnifier

44 Light accessories

43 Bulb matrix

45 Lighting solutions guide

Visual acuity is basic for all aspe

It is no wonder that when healthcare professionals make the decision to upgrade to new lights, their overwhelming choice is Philips Burton.

Our mission is to enhance your vision, your comfort and your performance in all exams and surgeries.

For more than 80 years, healthcare professionals have chosen Burton lights for value, reliability and quality. Compare, and see for yourself the noticeably brighter lights with no increase in heat, designed and manufactured by Philips Burton. This catalog shows general descriptions and features of our surgical,

Our mission is to enhance your vision, your comfort and your performance in all examinations and surgeries.

magnifier, and examination lights. We look forward to providing you with further information, specifications, pricing or product demonstrations.

Philips Burton is a medical device manufacturer engaged in the business of designing, manufacturing and distributing high-quality examination, and surgery lighting equipment. Since its inception in 1928, Burton has been known for superior quality, exceptional value, and long-lasting solutions to complex lighting issues facing physicians, surgeons and veterinarians throughout the world. Philips Burton has over 250,000 lights installed in the United States alone and continues to grow based on its quality, reliability, and extraordinary five-year warranty. Philips Burton is part of Philips Lighting and is located in Franklin Park, Illinois, just west of Chicago.

Meeting & Exceeding Standards

Philips Burton is certified as an ISO 13485 manufacturing facility, the global standard for medical device manufacturers. Philips Burton's products meet UL/IEC 60601-1, IEC 60601-1-2, EN/IEC 60601-2-41 and CAN/CSA C22.2 NO. 601.1 M90 certified

cts of examination and surgery.

standards for the U.S. and European markets. As an FDA-registered facility, Philips Burton manufactures products to meet all FDA requirements, and UL and CE certification standards.

Philips Burton products are distributed worldwide through a network of company and independent sales representatives. In the U.S., Philips Burton is a highly-recognized brand offered by the premier medical product distribution companies.



Our industry leading five-year warranty

Philips Burton proudly stands behind the reliability of its lighting products, and backs its lights with an industry-leading five-year warranty.* With this warranty, your purchase is backed against mechanical defect for five full years. Compare Philips Burton's five-year warranty to the competition. You'll find it's just one more reason why Philips Burton is the right light. The Philips Burton warranty can be viewed on our website at: burtonmedical.com

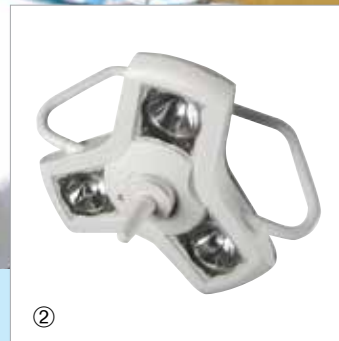
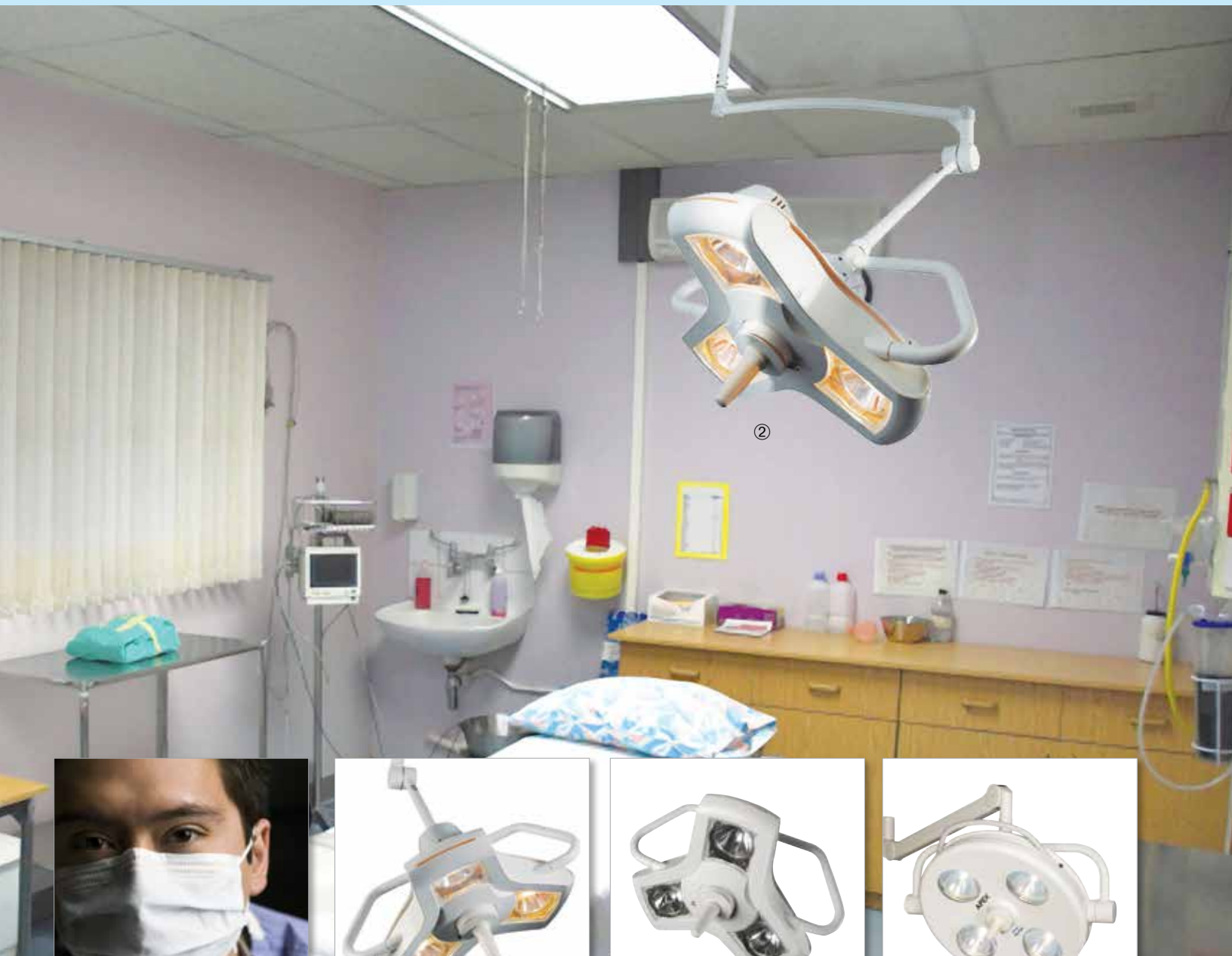
* Excludes Wave LED, Epic Magnifer, and XenaLux



The right light

Whatever your specialty or application, Philips Burton has a light that is ideally suited to your needs. For our complete lighting solutions guide, see page 53.

Ambulatory Surgery Centers (ASC) ① AIM-200 OR ② AIM-100 ③ APEX





Emergency Department (ED)

① Super Exam 50 ② AIM-50 ③ Outpatient LED



Primary Care & Examination

④ Super Bright Spot ⑤ Super Exam 50 LED ⑥ AIM LED ⑦ Nova Exam LED ⑧ Gleamer ⑨ Outpatient LED

Operating Room (OR)

① AIM-200 OR

② APEX





Veterinary

③ Outpatient II ④ Nova Exam LED ⑤ AIM-100 ⑥ Wave LED ⑦ Outpatient LED



Examination lights





Whether you are looking for the most popular industry choice or the newest LED technology, Philips Burton has a light that will simplify your examination while providing long-lasting service. With an array of high-intensity, low-heat light options, Philips Burton's examination lights provide the reliability you need with the pure white light and drift-free positioning you've always wanted.

12 Nova Exam LED



12

14 AIM LED



14

16 AIM-50



16

18 Super Exam 50 LED



18

19 Super Exam 50



19

20 Super Bright Spot



20

21 Gleamer



21

22 Outpatient LED



22

24 Outpatient II



24

25 CoolSpot II



25

26 Outpatient II / CoolSpot II combination models



26

Nova Exam LED

Higher performance and value for the practitioner,
enhanced comfort for the patient.

Nova Exam LED meets the demands of today's clinical examination applications. The LED light source produces a cool light that enhances physician/patient comfort while delivering a uniform beam pattern and higher illumination levels. A sleek head design, combined with a patented K-arm, allows quick and reliable positioning while being easy to clean and maintain. The operational benefits include lower power consumption and longer light source life.

Designed for patient comfort and ease of use

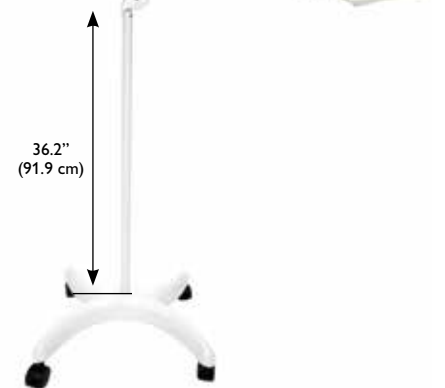
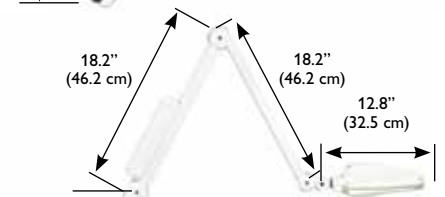
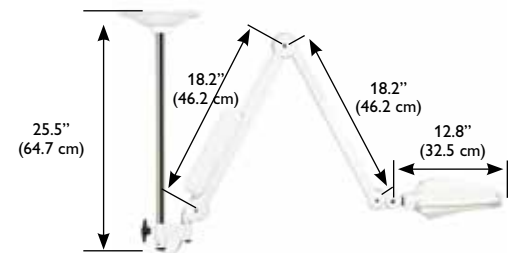
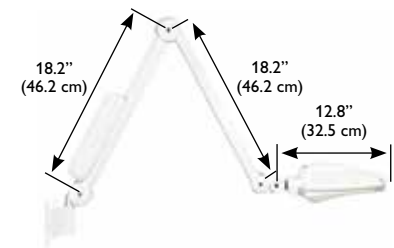
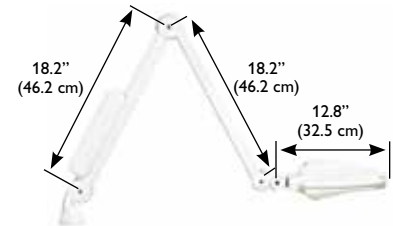
- The LED source provides a virtually heat-free light so the patient remains comfortable
- Dual handles are easily accessible to position the light head
- The patented K-arm moves smoothly with no drifting

Enhanced performance

- Nova Exam LED delivers a uniform beam pattern that aids the examination process
- Dual intensity switching allows a choice between two illumination levels. The low level delivers a 19% increase in light level with only 8W of LED power compared to a 20W halogen option. The high level delivers an 11% increase in light level with only 16W of LED power compared to a 35W halogen option.
- Maximum arm reach of 45" (114.30 cm)
- Available with a variety of mounting options (floorstand, table, wall or ceiling) to fit the application
- Delivers consistent light output during power supply fluctuations

Lower cost of ownership

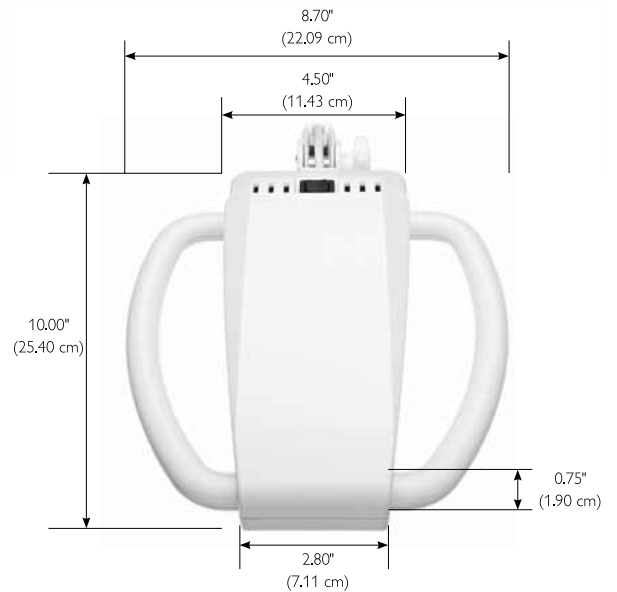
- The sleek light head aids routine cleaning
- The LED source offers 10x the operational life of traditional halogen solutions
- 58% energy savings over comparable halogen options (at low light level setting) and 18% savings when providing double the illumination





Features

- Illuminance:
 - Low level: 25,000 lux (2323 fc) at 18" (46 cm)
 - High level: 50,000 lux (4645 fc) at 18" (46 cm)
- 4600 K color temperature
- CRI (Color Rendering Index) of 93
- Two LED light modules with a 40,000-hour life each
- Maximum arm reach of 45" (114.3 cm)
- Contemporary aesthetic
- Better value for the practitioner
- Wall, floor, ceiling and table mount configurations
- UL/IEC 60601-1, IEC 60601-1-2, EN/IEC 60601-2-41 and CAN/CSA C22.2 NO. 601.1 M90 certified
- 5-year limited warranty



Ordering information

| 120V Model | 100-240V Model | Description |
|-------------|----------------|-----------------------|
| NXFL | NXFL*_____ | Floorstand |
| NXT | NXT*_____ | Table mount |
| NXW | NXW*_____ | Wall mount |
| NXC | NXC*_____ | Ceiling mount |
| Accessories | | |
| 4000071 | | 10' Ceiling drop tube |

* Add the appropriate country code to the end of the model number. Use "01" for Japan, "02" for the United Kingdom, "03" for Europe, "25" for Spain and "26" for Australia. (Example: NXFL25 for a 230/240V Floorstand model for Spain.)
 Note: The models ordered for Spain have Spanish Language Manuals.

Examination light

AIM LED

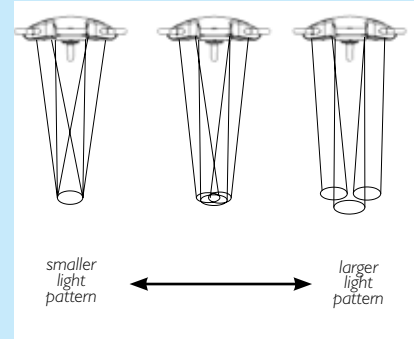
Philips Burton combined the smart and versatile design of its existing AIM lights with the efficiency and longevity of an LED light source.

Philips Burton's AIM LED – an exciting revolution in examination lighting. The AIM LED uses the latest advances in state-of-the-art lighting technology to achieve incredible performance and unsurpassed value and energy efficiency. The AIM LED provides about 10% more illumination (45,000 lux / 4181 fc at 1 meter) than the Outpatient II. A 92 CRI rating produces very accurate color visibility which is important for an accurate diagnosis. With 10 times greater (20,000 hours) lamp life than traditional light source products, you will save more than \$1000 in bulb replacements alone. Additionally, the AIM LED uses 55% less energy.

The latest advances in state-of-the-art lighting technology to achieve incredible performance and unsurpassed value and energy efficiency.

Features

- 45,000 lux (4181 fc) at 1 meter
- 4300 K color temperature
- CRI (Color Rendering Index) of 92
- 3 LED modules with a 20,000-hour life
- Adjustable focus using center handle
- UL/IEC 60601-1, IEC 60601-1-2, EN/IEC 60601-2-41 and CAN/CSA C22.2 NO. 601.1 M90 certified
- CE marked
- 5-year limited warranty
- Assembled in USA



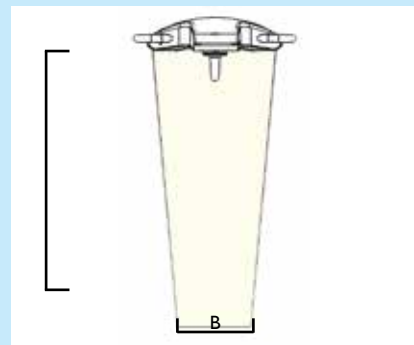
Larger and adjustable light pattern

The multiple reflectors of the AIM LED can be tilted by rotating the sterilizable light handle to adjust the size and pattern of the light to the working area.



Light pattern free of cast shadows

The AIM LED has a unique Y-Shaped design, which facilitates placement of the lighthead around the physician's head minimizing the obstruction of light into the examination field.

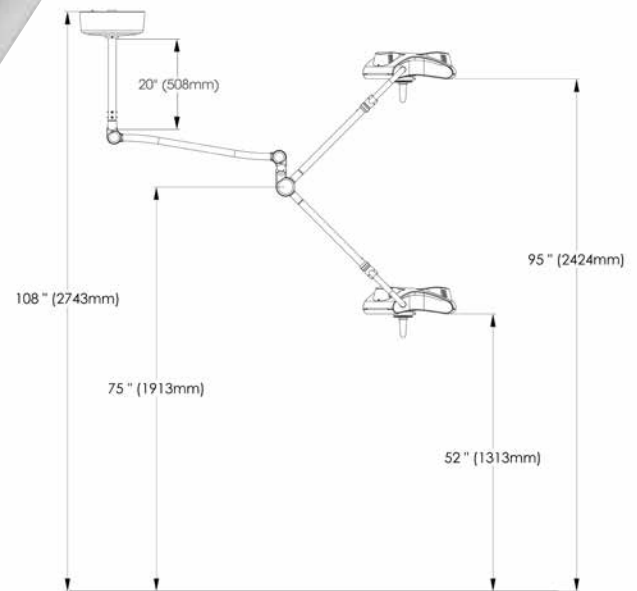
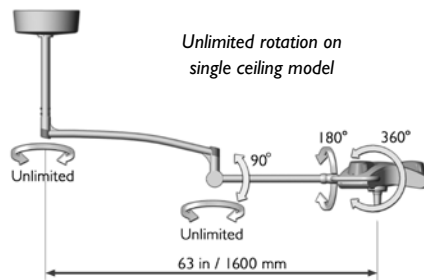


Depth of field / beam diameter

| | | cm | in |
|---|-------------------|-----|----|
| A | Depth of field | 137 | 54 |
| B | Beam diameter D10 | 33 | 13 |



The AIM LED's 360° limitless arm-and-mounting-system-rotation around vertical axes on single ceiling models is a key feature previously available only on more expensive lights. The arm system also provides a maximum reach of 63" and diameter of 10', allowing it to illuminate the patient from head to toe with no drift.



Ordering information

| 120V Model | 100-240V Model* | Description |
|-------------|-----------------|------------------------------------|
| ALEDFL | ALEDFL*_____ | Floorstand |
| ALEDSC | ALEDSC*_____ | Single ceiling mount |
| ALEDDC | ALEDDC*_____ | Double ceiling mount |
| ALEDW | ALEDW*_____ | Wall mount |
| Accessories | | |
| 1017040 | | Sterilizable / autoclavable handle |
| 0008100PK | | Disposable handle covers, 25/box |
| 1017084 | | 42" drop tube |

* Add the appropriate country code to the end of the model number. Use "01" for Japan, "02" for the United Kingdom, "03" for Europe, "25" for Spain and "26" for Australia. (Example: NXFL25 for a 230/240V Floorstand model for Spain.)
 Note: The models ordered for Spain have Spanish Language Manuals.

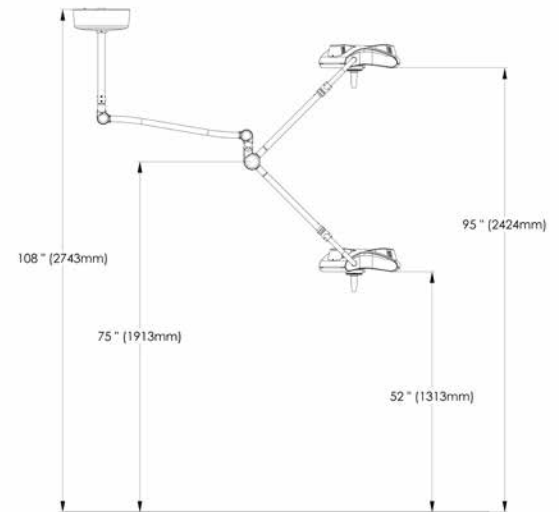
Examination light

AIM-50

Limitless rotation, class-leading intensity and endless versatility.

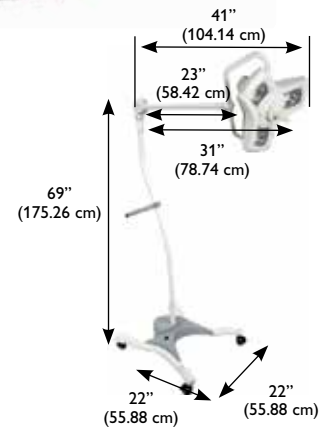
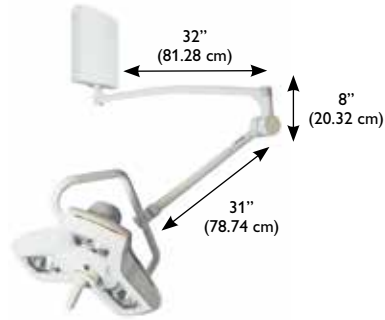
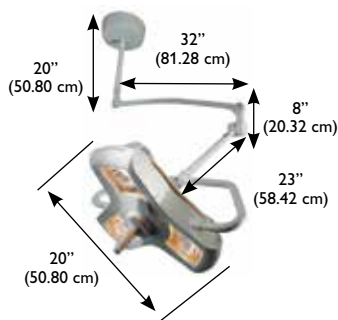
Providing both amazing value and unparalleled aesthetics, Philips Burton's AIM-50 also boasts limitless rotation on ceiling mounts (a feature previously available only on OR type lights). Along with highest intensity illumination, AIM-50 delivers very smooth focus and superior maneuverability. A longer arm system ensures that either light can be positioned in the widest range of positions possible, making it ideal for examination applications.

Designed to meet even the most demanding healthcare facility's specifications for high-intensity, cool operation and low cost.



Features

- High-intensity of 45,000 lux (4181 fc) at 1 meter
- 3100 K color temperature offers natural and true coloring
- High CRI (Color Rendering Index) of 96
- Uses three quartz halogen bulbs – each rated with a 2000-hour bulb life; bulbs wired in parallel for continuous operation
- Compact 20" (51 cm) diameter lighthead
- Extremely smooth focus mechanism with center sterilizable handle
- 360° limitless arm-and-mounting-system-rotation around vertical axes (on single ceiling models)
- Cool operation for long hours of use
- 120V standard; 100 and 230 / 240V models available
- UL/IEC 60601-1, IEC 60601-1-2, EN/IEC 60601-2-41 and CAN/CSA C22.2 NO. 601.1 M90 certified
- CE marked
- 5-year limited warranty
- Assembled in USA



AIM-100 model shown to illustrate floorstand, single ceiling mount and wall mount configurations

Ordering information

| 120V Model | 230V Model | 230V SP Model* | 240V Model | 100V Model | Description |
|--------------------|------------|----------------|------------|------------|------------------------------------|
| A50FL | A53FL | A54FL25 | A52FL | A51FL | Floorstand |
| A50SC | A53SC | A54SC25 | A52SC | A51SC | Single ceiling mount |
| A50DC | A53DC | A54DC25 | A52DC | A51DC | Double ceiling mount |
| A50W | A53W | A54W25 | A52W | A51W | Wall mount |
| Accessories | | | | | |
| 6000120K | | | | | Set of 3 AIM-50 replacement bulbs |
| 1017040 | | | | | Sterilizable / autoclavable handle |
| 0008100PK | | | | | Disposable handle covers, 25/box |
| 1017084 | | | | | 42" drop tube |

*SP Model refers to Spanish Language Manuals.

Examination light

Super Exam 50 LED

Natural white light, best-in-class intensity, energy savings and longevity – all on a highly-positionable K-arm.

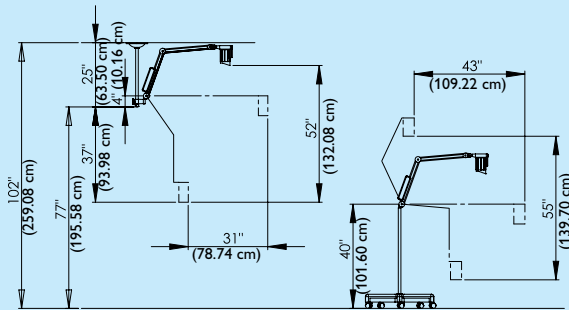
Higher illumination in a precisely controlled beam is just the beginning. Delivering value through longer life, lower energy consumption and versatility is where the Super Exam 50 LED really shines. The LED technology in this highly engineered optical system delivers the precisely controlled natural white light that is so important for an accurate examination whether your practice is obstetrics, gynecology, dermatology or emergency medicine.

Features

- High-intensity of 39,000 lux (3623 fc) at 24" (61 cm)
- 4000 K color temperature
- CRI (Color Rendering Index) of 92
- Natural white light
- LED light module with 40,000-hour life
- Universal input voltage
- Drift-free K-arm with 42" (107 cm) arm range
- Rail mount bracket that can be attached to a bed rail or wall rail
- UL/IEC 60601-1, IEC 60601-1-2, EN/IEC 60601-2-41 and CAN/CSA C22.2 NO. 601.1 M90 certified
- CE marked
- 5-year limited warranty

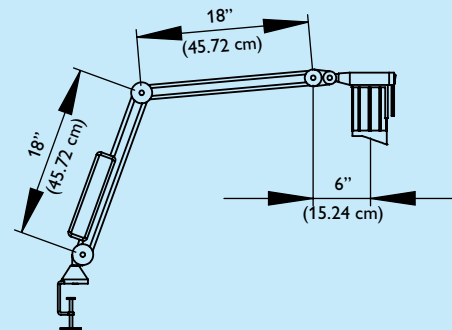


Super Exam 50 LED / Super Exam 50 range of motion and general dimensions



Ceiling arm movement same as for wall and rail mounts

Floorstand arm movement same as for table mount



Ordering information

| 120V Model | 230/240V Model | Description |
|-------------|----------------|-----------------------|
| SE50LFL | SE50LFL25 | Floorstand |
| SE50LR | SE50LR25 | Rail, DIN 25 |
| SE50LR1 | SE50LR125 | Rail, Fairfield |
| SE50LSC | SE50LSC25 | Single ceiling mount |
| SE50LT | SE50LT25 | Table mount |
| SE50LW | SE50LW25 | Wall mount |
| Accessories | | |
| 4000071 | | 10' ceiling drop tube |

Note: This product is NOT available in Norway, Sweden, Finland, Denmark, Estonia, Russia, Germany, UK, Ireland, Australia, Spain, the Netherlands or Iceland.

Examination light

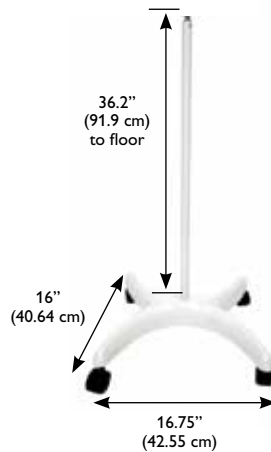
Super Exam 50

Best-in-class intensity, color temperature and CRI on a highly-positionable K-arm.

Delivering higher illumination in a limited area, Super Exam 50 is ideal for obstetrics, gynecology and emergency rooms. Super Exam 50 uses halogen technology for maximum light output and color rendering. A dual lens optical system collects and concentrates the light in a precise beam.

Features

- High-intensity of 45,750 lux (4250 fc) at 24" (61 cm)
- 3800 K color temperature
- CRI (Color Rendering Index) of 99
- Drift-free K-arm with 42" (107 cm) arm range
- 50W MR-16 bulb with 4000-hour life
- UL/IEC 60601-1, IEC 60601-1-2, EN/IEC 60601-2-41 and CAN/CSA C22.2 NO. 601.1 M90 certified
- CE marked
- 5-year limited warranty



Unique dual lens technology produces greater light intensity than competitive models

K-Arm technology

Medical products are used in a dynamic environment and need a great level of flexibility. Friction-based arms with tightening screws make movement a problem. If you loosen a friction screw too much, the arm will collapse! That's why Philips Burton's Super Exam 50 and Super Exam 50 LED use a unique, self-balancing K-Arm. No other arm in the market offers this kind of extensive reach. Internal springs ensure smooth, easy positioning and the arm will stay in the right position without drifting.



Horizontal movement (above): Designed for maximum movement in the horizontal plane. Typical applications: floorstand, table mounted.



Vertical movement (right): More vertical movement than arms found on large operating lights. The arm will always tilt forward to avoid collisions with the wall. Typical applications: wall mounted, ceiling mounted, rail mounted.

Ordering information

| 120V Model | 230/240V Model | Description |
|-------------|----------------|--------------------------------|
| SE50FL | SE51FL | Floorstand |
| SE50R | SE51R | Rail, DIN 25 |
| SE50R1 | SE51R1 | Rail, Fairfield |
| SE50SC | SE51SC | Single ceiling mount |
| SE50T | SE51T | Table mount |
| SE50W | SE51W | Wall mount |
| Accessories | | |
| 4000061PK | | MR-16 replacement bulbs, 3/box |
| 4000071 | | 10' ceiling drop tube |

Note: This product is NOT available in Norway, Sweden, Finland, Denmark, Estonia, Russia, Germany, UK, Ireland, Australia, Spain, the Netherlands or Iceland.

Examination light

Super Bright Spot

Pre-focused spot available for OB/GYNs, urologists, family practitioners, hospitals, clinics and LDRs!

Using a 20-watt halogen bulb and a special optics system, Philips Burton's Super Bright Spot is virtually heat-free. Plus, the Super Bright Spot is superior to fiber optic units in value, durable operation, large 4" - 5" (10 cm -13 cm) spot size and a long 2000-hour bulb life. Due to its proven reliability, Philips Burton offers an extraordinary five-year warranty on the Super Bright Spot. The Super Bright Spot is available with a sturdy, sag-resistant gooseneck and a floorstand or a universal wall mounting system for tighter spaces. The floor model's compact caster base provides exceptional utility and reliability.

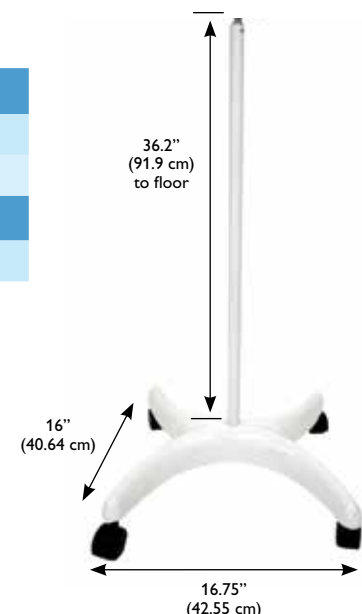
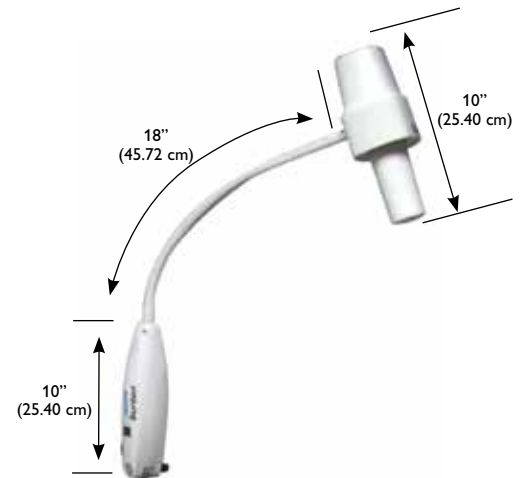
Features

- 56,000 lux (5185 fc) at 18" (46 cm)
- 3400 K color temperature (natural coloring)
- CRI (Color Rendering Index) of 98
- 20-watt halogen bulb with 2000-hour average bulb life
- 4" - 5" (10 cm -13 cm) spot size (much larger than fiber optic lights)
- High-quality, space-saving 4-caster base system – safe and flexible portable movement with locking feature in 2 of 4 casters
- Dichroic reflector filters out infrared to keep the beam cool
- 120V model standard; 230 / 240V models available
- UL/IEC 60601-1, IEC 60601-1-2, EN/IEC 60601-2-41 and CAN/CSA C22.2 NO. 601.1 M90 certified
- CE marked
- 5-year limited warranty
- Assembled in USA

Note: The optical data are nominal values based on measurements done according to the UL/IEC Performance standard at 120V at 18"

Ordering information

| 120V Model | 230/240V Model | Description |
|-------------|----------------|--|
| SB40FL | SB42FL | Floorstand |
| SB40W | SB42W | Wall mount |
| Accessories | | |
| 0007000PK | | Super Bright Spot replacement bulbs, 4/box |



Examination light

Gleamer

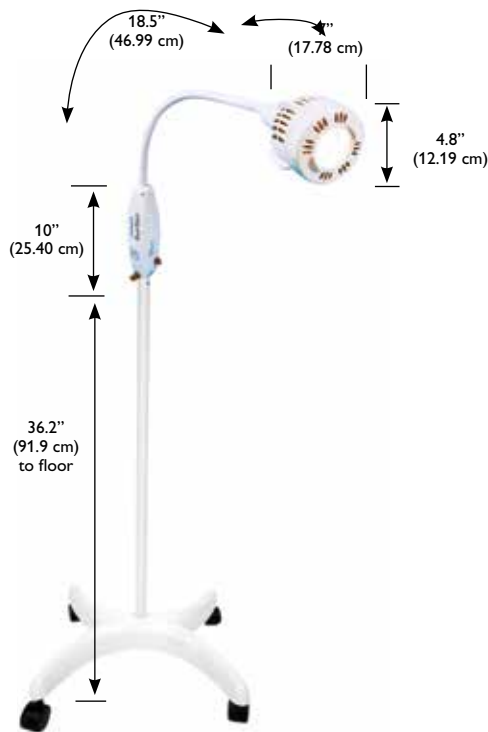
Philips Burton's versatile, compact halogen light.

If your facility is searching for an all-purpose, rugged, compact halogen light, Philips Burton's Gleamer is your solution. The Gleamer was designed to meet healthcare facilities' most demanding specifications for high-intensity, cool operation, compact design, and value. Offering 45,000 lux (4181 fc), a sturdy gooseneck, plus optional 16" (41 cm) extension arm, and superior quality components, the Gleamer provides high-intensity, maximum flexibility and extraordinary reliability. The Gleamer also features a unique venting system, energy-absorbing infrared exchanger and reflector coatings, which filter out infrared for a nearly heat-free beam in a cool, yet compact housing.

Features

- 45,000 lux (4181 fc) at 18" (46 cm)
- 3200 K color temperature (natural coloring)
- CRI (Color Rendering Index) of 91
- 35-watt halogen bulb; 2000-hour life; easy bulb replacement
- Cool housing temperature and cool light beam; light can be in continuous use for hours without causing discomfort to physician or patient
- Convenient positioning with ergonomic positioning ridges
- High-quality, space-saving 4-caster base – safe and flexible portable movement with locking feature in 2 of 4 casters
- 120V model standard; 230 / 240V model available
- UL/IEC 60601-1, IEC 60601-1-2, EN/IEC 60601-2-41 and CAN/CSA C22.2 NO. 601.1 M90 certified
- CE marked
- 5-year limited warranty
- Assembled in USA

Note: The optical data are nominal values based on measurements done according to the UL/IEC Performance standard at 120V at 18"



Ordering information

| Gleamer | | |
|------------------------|----------------|---|
| 120V Model | 230/240V Model | Description |
| GL30FL | GL32FL | Floorstand |
| GL30W | GL32W | Wall mount |
| Accessories | | |
| 0009600PK | | Gleamer replacement bulbs, 4/box |
| Gleamer Wide Beam Spot | | |
| 120V Model | 230/240V Model | Description |
| GLW30FL | GLW32FL | Floorstand |
| GLW30W | GLW32W | Wall mount |
| Accessories | | |
| 0009608PK | | Gleamer Wide Beam Spot replacement bulbs, 4/box |

Outpatient LED

The sleek, powerful, efficient, precise light

The next generation of examination lighting has arrived. Outpatient LED Exam Light is the perfect low-maintenance, top-performing light for most examination applications in the hospital, physician's office, surgery center and veterinary field.

Designed for patient comfort and ease of use

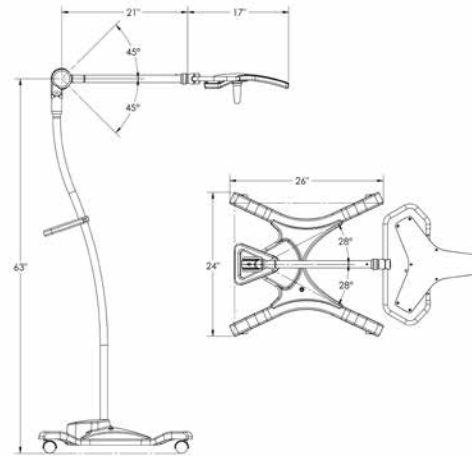
- LED sources provide virtually heat-free light for patient comfort
- High quality light for accurate color rendition
- Designed to reduce shadows on the examination area
- Modularity for ease of installation and assembly

Enhanced performance

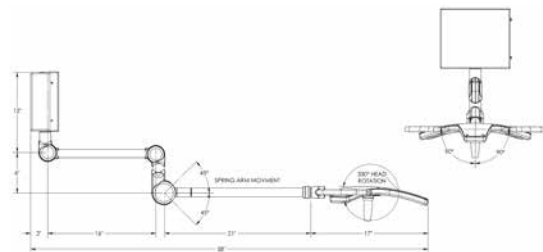
- Increased illuminance to 90,000 lux (8361 fc) at 24" (61 cm)
- CRI (Color Rendering Index) > 95
- High R9 > 87, to accurately render skin tones
- Anti-microbial paint to inhibit the growth of microbes
- Lower profile to reduce space impact

Lower cost of ownership

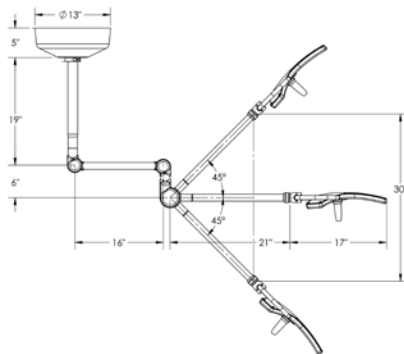
- LED illumination offers 10x (or 20,000 hours average) the operational life of traditional halogen solutions
- Provides a 75% energy savings over current halogen solution option
- Smooth finish aids routine cleaning
- Reduced maintenance



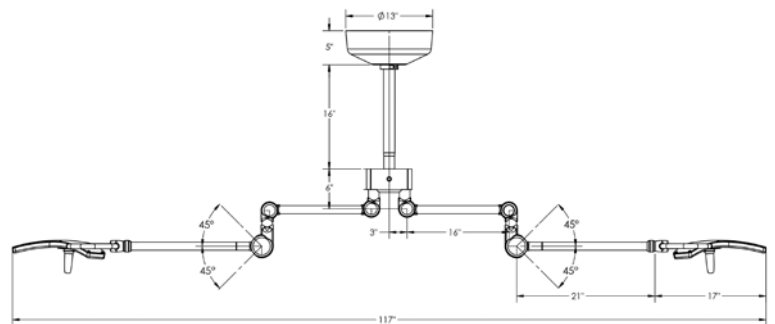
Floorstand



Wall Mount



Single Ceiling Mount



Double Ceiling Mount



Features

- 90,000 lux (8361 fc) at 24" (61 cm)
- 3700 K color temperature
- CRI (Color Rendering Index) of 95
- High R9>87, to accurately render skin tones
- 20,000 hours average LED life
- The unique shape of the light head reduces shadows on the examination area
- The arm system provides a maximum reach of 37.5 inches (floorstand model) or 50 inches (single/double ceiling and wall models) and has a 360-degree rotation
- A smooth finish aids in routine cleaning
- Anti-microbial paint inhibits the growth of microbes
- Floorstand, Wall, and Single and Double Ceiling mounting options
- 5-year warranty for parts and labor



Ordering information

| 120V Model | Description |
|------------|----------------|
| OPLEDFL | Floorstand |
| OPLEDW | Wall mount |
| OPLEDSC | Single ceiling |
| OPLEDDC | Double ceiling |

Examination light

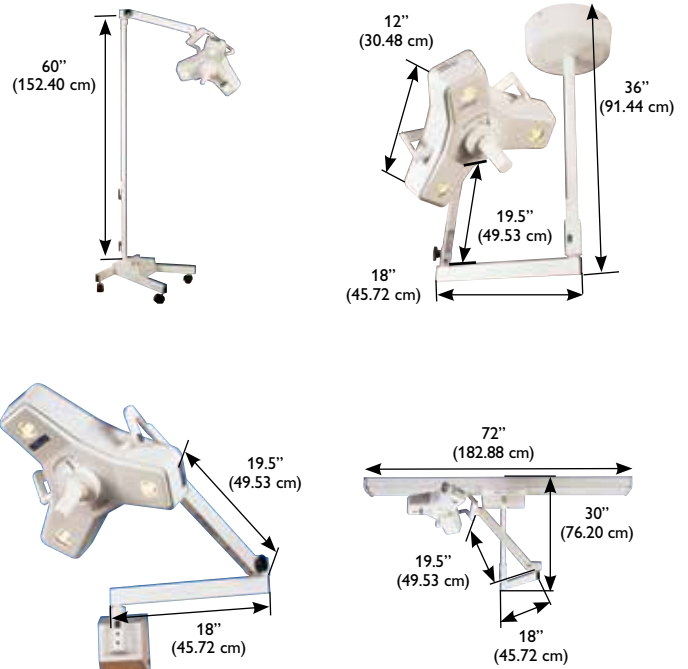
Outpatient II

The perfect blend of minimal heat output and high color temperature, low-maintenance and top performance.

The Outpatient II is the documented industry leader for examination lights. More physicians choose the Outpatient II than any other light for focusable flood-type light, maximum intensity and shadow-free operation. With minimal heat output and high color temperature, the Outpatient II is the perfect low-maintenance, top performing light for nearly every application in the hospital or physician's office.

Features

- 86,000 lux (7990 fc) at 24" (61 cm)
- 3300 K color temperature
- CRI (Color Rendering Index) of 94
- Focuses with central removable, autoclavable SteriHandle
- Friction knob allows user to adjust friction on the self-balancing arm positioning to desired tension without a tool
- Cool operation ensured with heat filters and dichroic coatings
- Shadow-free operation provided by three 50-watt halogen bulbs, each with 2000-hour average bulb life
- Bulbs are wired in parallel to ensure continuous operation
- Design allows removal or replacement of SteriHandle with one hand (for ensuring sterile procedures)
- Floorstand units include footswitch, locking casters and cord wrap
- Mounting systems meet California Seismic Codes
- 120V model standard; 230 / 240V models also available
- UL/IEC 60601-1, IEC 60601-1-2, EN/IEC 60601-2-41 and CAN/CSA C22.2 NO. 601.1 M90 certified
- 5-year limited warranty
- Assembled in USA



Ordering information

| 120V Model | 230/240V Model | 230/240V SP Model* | 100V Model | Description |
|-------------|----------------|--------------------|------------|--|
| OP216FL | OP225FL | O202FL25 | OP215FL | Floorstand |
| OP216SC | OP225SC | O202SC25 | OP215SC | Single ceiling mount |
| OP216DC | OP225DC | O202DC25 | OP215DC | Double ceiling mount |
| OP216W | OP225W | O302W25 | OP215W | Wall mount |
| OP216ST | OP225ST | | OP215ST | Single Fastrac mount |
| OP216DT | OP225DT | | OP215DT | Double Fastrac mount |
| Accessories | | | | |
| 0006130PK | | | | Outpatient II replacement bulbs, 3/box |
| 1008465 | | | | Outpatient II handle replacement |
| 0008100PK | | | | Light handle covers, sterile, 25/box |
| 1008259 | | | | 42" drop tube |
| 1008060 | | | | Special length, max. 58" drop tube |

*SP Model refers to Spanish Language Manuals.



Examination light

CoolSpot II

The advanced healthcare lighting solution that fits both your space and your budget.

The aesthetically appealing CoolSpot II offers incredibly pure, white light along with a guaranteed no-drift arm, high-intensity setting and variable spot size control. The CoolSpot II offers intensity of up to 60,000 lux (5574 fc) at 1 meter. The CoolSpot II examination light is the spotlight of choice.

Features

- Up to 60,000 lux (5574 fc) at 1 meter
- 4300 K color temperature
- CRI (Color Rendering Index) of 94
- Bi-level dimmer for variable intensity
- Variable spot size of 2" - 10" (5 cm - 25 cm)
- New, improved and easy to clean housing design with convenient SteriHandle for positioning
- Removable, autoclavable center SteriHandle design allows removal or replacement of SteriHandle with one hand (for ensuring sterile procedures)
- 150-watt halogen bulb provides 600-hour average bulb life on standard setting
- Friction knob allows user to adjust friction on the self-balancing arm positioning to desired tension without a tool
- Mounting systems meet California Seismic Codes
- 120V model standard; 230 / 240V models also available
- UL/IEC 60601-1, IEC 60601-1-2, EN/IEC 60601-2-41 and CAN/CSA C22.2 NO. 601.1 M90 certified
- 5-year limited warranty
- Assembled in USA



Ordering information

| 120V Model | 230/240V Model | 230/240V SP Model* | 100V Model | Description |
|-------------|----------------|--------------------|------------|--------------------------------------|
| CS316FL | CS325FL | C302FL25 | CS315FL | Floorstand |
| CS316SC | CS325SC | C302SC25 | CS315SC | Single ceiling mount |
| CS316DC | CS325DC | C302DC25 | CS315DC | Double ceiling mount |
| CS316W | CS325W | C302W25 | CS315W | Wall mount |
| CS316ST | CS325ST | | CS315ST | Single Fastrac mount |
| CS316DT | CS325DT | | CS315DT | Double Fastrac mount |
| Accessories | | | | |
| 0007006PK | | | | CoolSpot II replacement bulbs, 3/box |
| 1008466B | | | | CoolSpot II handle replacement |
| 0008100PK | | | | Light handle covers, sterile, 25/box |
| 1008259 | | | | 42" drop tube |
| 1008060 | | | | Special length, max. 58" drop tube |

*SP Model refers to Spanish Language Manuals.

Examination light

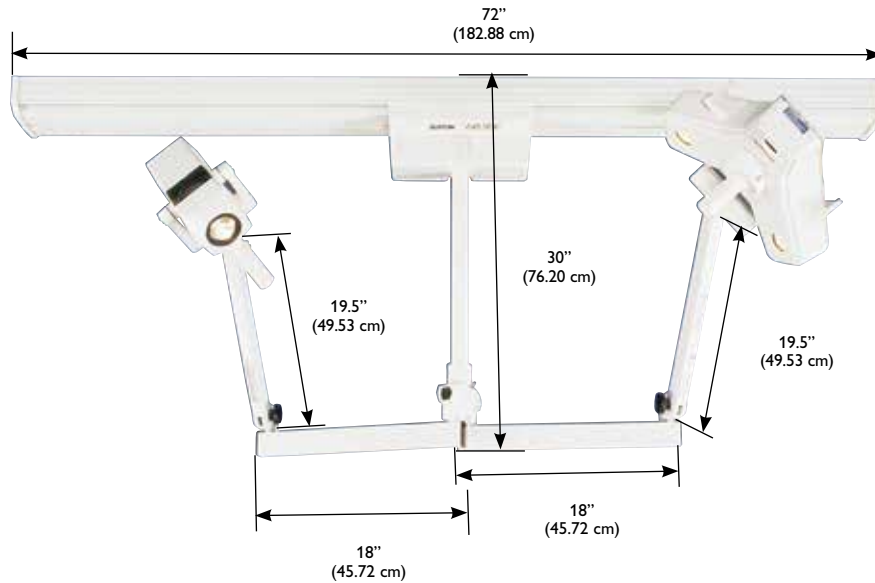
Outpatient II / CoolSpot II combination models



Note 1: Standard dimensions in inches (centimeters) shown. All ceiling mounts shown on standard 9' (2.74m) ceilings.

Note 2: Standard 30" (76 cm) drop tube is generally acceptable for 9' (2.74m) ceilings. Drop tube can be cut on site if needed. Special lengths can be ordered and are subject to additional charges.

Note 3: The optical data are nominal values based on measurements done according to the UL/IEC performance standards at 120V at 24"



Ordering information

| 120V Model | 230-240V Model | 230-240V SP Model* | 100V Model | Description |
|-------------|----------------|--------------------|------------|--|
| OC516CC | OC525CC | O202CC25 | OC515CC | Combo, ceiling mount |
| OC516CT | OC525CT | | OC515CT | Combo, Fastrac mount |
| Accessories | | | | |
| 0006130PK | | | | Outpatient II replacement bulbs, 3/box |
| 1008465 | | | | Outpatient II handle replacement |
| 0007006PK | | | | CoolSpot II replacement bulbs, 3/box |
| 1008466B | | | | CoolSpot II handle replacement |
| 0008100PK | | | | Light handle covers, sterile, 25/box |
| 1008259 | | | | 42" drop tube |
| 1008060 | | | | Special length, max. 58" drop tube |

*SP Model refers to Spanish Language Manuals.

Surgical lights





During the most critical moments, you need a light you can trust. With easy, no-drift positioning and multi-bulb designs for long hours of use, Philips Burton's surgery lights satisfy the entire surgical team. The variety of configurations and versatility complete the package for a value you can't find anywhere else.

30 AIM-100



30

32 AIM-200 OR



32

34 APEX



34

36 XenaLux



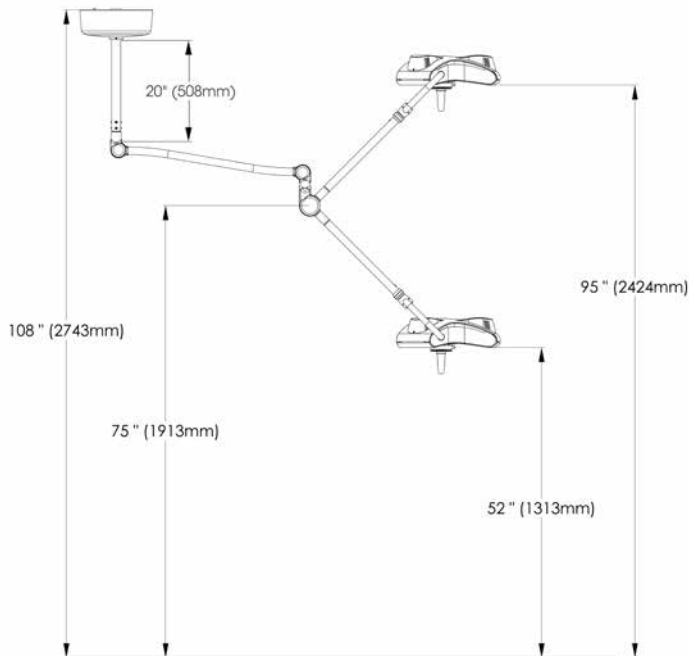
36

Surgical light

AIM-100

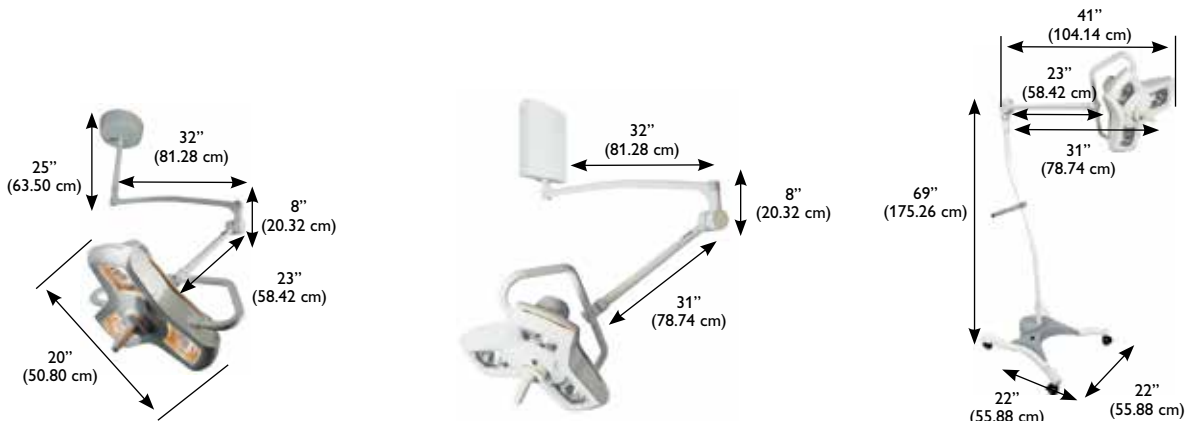
Limitless rotation, class-leading intensity and endless versatility.

Providing both amazing value and unparalleled aesthetics, Philips Burton's AIM-100 also boasts limitless rotation on ceiling mounts (a feature previously available only on OR type lights). Along with highest intensity illumination, AIM-100 delivers very smooth focus and superior maneuverability. A longer arm system ensures that either light can be positioned in the widest range of positions possible, making it ideal for examination applications.



AIM-100

- High-intensity of 63,000 lux (5852 fc) at 1 meter (per lighthead on double ceiling model)
- 3500 K color temperature offers natural and true coloring
- High CRI (Color Rendering Index) of 97
- Uses three quartz halogen bulbs (per lighthead on double ceiling model) – each rated with a 2000-hour bulb life; bulbs wired in parallel for continuous operation
- Compact 20" (51 cm) diameter lighthead
- Extremely smooth focus mechanism with center sterilizable handle
- 360° limitless arm-and-mounting-system-rotation around vertical axes (on single ceiling models)
- Cool operation for long hours of use
- 120V standard; 100 and 230 / 240V models available
- UL/IEC 60601-1, IEC 60601-1-2, EN/IEC 60601-2-41 and CAN/CSA C22.2 NO. 601.1 M90 certified
- CE marked
- 5-year limited warranty
- Assembled in USA





AIM-100 Double Ceiling

Philips Burton's AIM-100 Double Ceiling provides both amazing value and unparalleled aesthetics. Along with the highest intensity illumination, you can also expect a smooth focus and superior maneuverability. A longer arm system ensures that the light can be positioned in the widest range of positions possible, making the AIM-100 Double Ceiling ideal for surgery.



Ordering information

| 120V Model | 230/240V Model | 230V SP Model* | 100V Model | Description |
|-------------|----------------|----------------|------------|------------------------------------|
| A100FL | A103FL | A102FL25 | A101FL | Floorstand |
| A100SC | A103SC | A102SC25 | A101SC | Single ceiling mount |
| A100DC | A103DC | A102DC25 | A101DC | Double ceiling mount |
| A100W | A103W | A102W25 | A101W | Wall mount |
| Accessories | | | | |
| 1017111PK | | | | Set of 3 AIM-100 replacement bulbs |
| 1017040 | | | | Sterilizable / autoclavable handle |
| 0008100PK | | | | Disposable handle covers, 25/box |
| 1017084 | | | | 42" drop tube |

*SP Model refers to Spanish Language Manuals.

Surgical light

AIM-200 OR

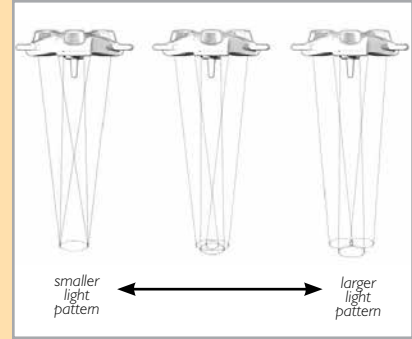
The right light for surgical procedures.

Philips Burton's new AIM-200 OR provides versatility, amazing illumination, unparalleled aesthetics and many more features that make it the right light for any procedure. Delivering true rendition of colors, this light is ideal for long hours of use with three cool 35-watt IRC halogen bulbs – each rated with a 1400-hour average bulb life. The AIM-200 OR is the first Operating Room light that has floor, wall, single- and double-ceiling mounts available. With its 360° limitless arm-and-mounting-system-rotation around the vertical axes on the single ceiling models, the AIM-200 OR is the most versatile and practical light for the Operating Room environment.

The AIM-200 OR is the most versatile and practical light for the Operating Room environment delivering 360° limitless arm-and-mounting-system-rotation around the vertical axes on single ceiling models,

Features

- 90,000 lux (8361 fc) at 1 meter
- 3700 K color temperature
- CRI (Color Rendering Index) of 96
- Larger and adjustable light pattern
- Unlimited rotation and maximum reach of 63" (160 cm)
- Light field diameter: 10" - 12" (25 cm - 30 cm)
- Depth of illumination: 47" (119 cm)
- Adjustable focusing by rotating center handle
- UL/IEC 60601-1, IEC 60601-1-2, EN/IEC 60601-2-41 and CAN/CSA C22.2 NO. 601.1 M90 certified
- CE marked
- 5-year limited warranty
- Assembled in USA



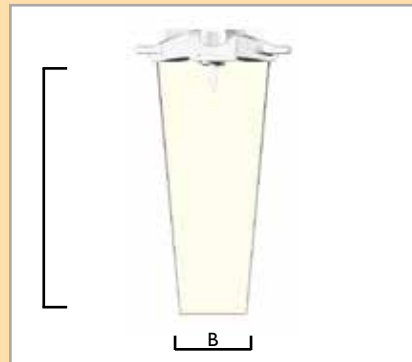
Larger and adjustable light pattern

The multiple reflectors of the AIM-200 OR can be tilted by rotating the sterilizable light handle to adjust the size and pattern of the light to the working area.



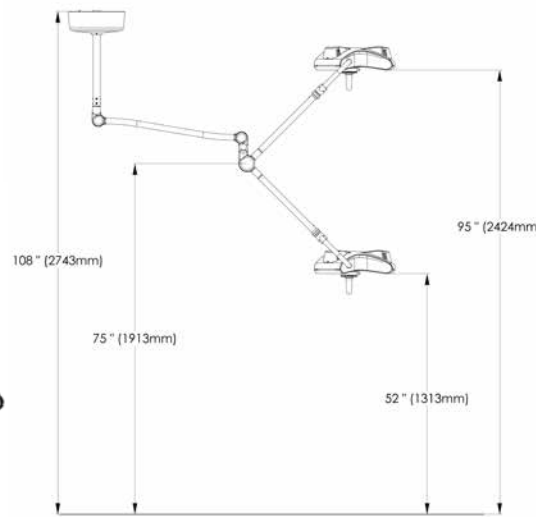
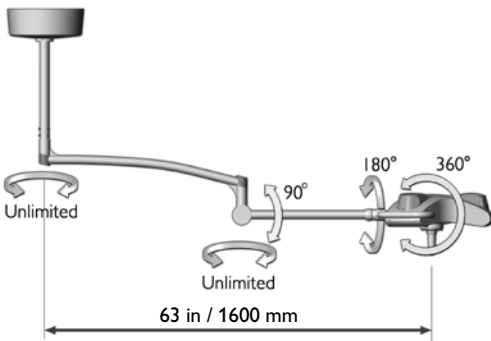
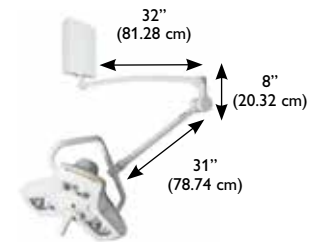
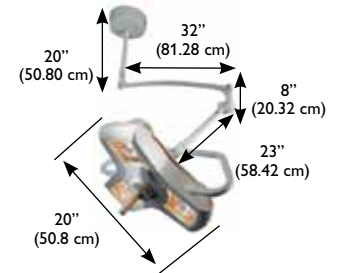
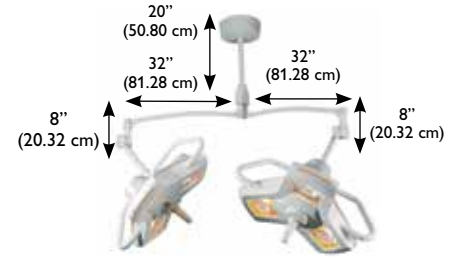
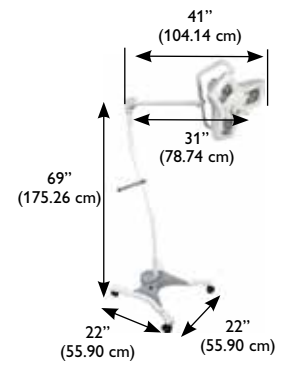
Light pattern free of cast shadows

The AIM-200 OR has a unique Y-Shaped design, which facilitates placement of the lighthead around the physician's head minimizing the obstruction of light into the surgical field.



Depth of Field / Beam Diameter

| | | cm | in |
|---|-------------------|-----|----|
| A | Depth of field | 119 | 47 |
| B | Beam diameter D10 | 25 | 10 |



Unlimited rotation and maximum reach

The AIM-200 OR's 360° limitless arm-and-mounting-system-rotation around vertical axes on single ceiling models is a key feature previously available only on more expensive OR lights. The arm system also provides a maximum reach of 63" and diameter of 10', allowing it to illuminate the patient from head to toe with no drift.

Ordering information

| 120V Model | 230/240V Model | 230V SP Model* | 100V Model | Description |
|-------------|----------------|----------------|------------|--------------------------------------|
| A200FL | A203FL | A202FL25 | A201FL | Floorstand |
| A200SC | A203SC | A202SC25 | A201SC | Single ceiling mount |
| A200DC | A203DC | A202DC25 | A201DC | Double ceiling mount |
| A200W | A203W | A202W25 | A201W | Wall mount |
| Accessories | | | | |
| 1017111PK | | | | AIM-200 OR replacement bulbs, 3/box |
| 1017040 | | | | Sterilizable / autoclavable handle |
| 0008100PK | | | | Light handle covers, sterile, 25/box |
| 1017084 | | | | 42" drop tube |

*SP Model refers to Spanish Language Manuals.



Surgical light

APEX

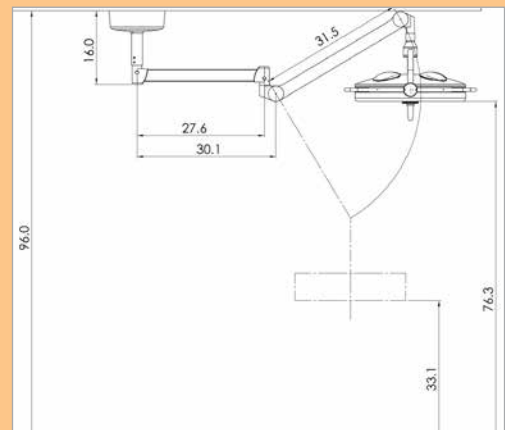
Your choice for no-drift positioning and exceptional performance.

Reliable operation, simplicity and ease of use are the hallmarks of every Philips Burton product, and the new APEX is no exception. For optimum illumination (120,000 lux / 11,148 fc at 1 meter), the highest quality no-drift arm system, reliability and true color rendering, there is no better value than Philips Burton's APEX. Plus, an efficient multi-bulb design eliminates the need for complicated back-up bulb systems used in single source lights.

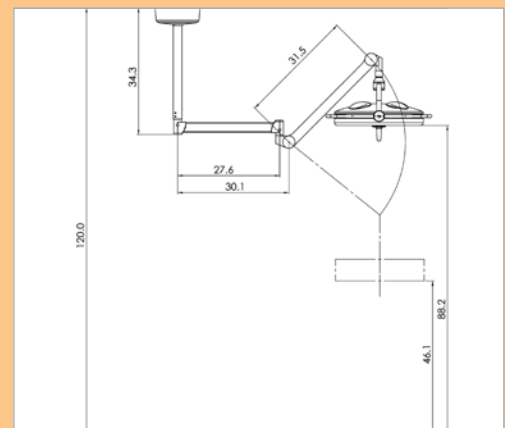
Features

- High-intensity of 120,000 lux (11,148 fc) at 1 meter
- 4200 K color temperature offers pure white illumination (without blue hues)
- High CRI (Color Rendering Index) of 95
- 24" (61 cm) diameter lighthead
- Unlimited arm rotation
- Focuses with center autoclavable handle for exceptionally smooth focus
- Supplied with control box including on/off switch, and continuous intensity adjustment
- Durable, aesthetic arm system that is recognized for drift-free, trouble-free operation
- 120V model standard, 100V and 230 / 240V models available
- UL/IEC 60601-1, IEC 60601-1-2, EN/IEC 60601-2-41 and CAN/CSA C22.2 NO. 601.1 M90 certified
- 5-year limited warranty
- Assembled in USA

APEX range of motion



APEX 8-FT.



APEX 10-FT.



Reliable operation, simplicity and ease of use are the hallmarks of every Philips Burton product, and the new APEX is no exception.



Ordering information

| 120V Model | 230/240V Model | 120V SP Model* | 230/240V SP Model* | 100V Model | Description |
|--------------------|----------------|----------------|--------------------|------------|--------------------------------------|
| APXSC8 | APXSC825 | APXSC8SP | APXSC825SP | APXSC801 | 8' Single ceiling mount |
| APXSC10 | APXSC1025 | APXSC10SP | APXSC1025SP | APXSC1001 | 10' Single ceiling mount |
| APXDC8 | APXDC825 | APXDC8SP | APXDC825SP | APXDC801 | 8' Double ceiling mount |
| APXDC10 | APXDC1025 | APXDC10SP | APXDC1025SP | APXDC1001 | 10' Double ceiling mount |
| Accessories | | | | | |
| 0002004PK | | | | | APEX replacement bulbs, 6/box |
| 0008100PK | | | | | Light handle covers, sterile, 25/box |

*SP Model refers to Spanish Language Manuals.

Surgical light

XenaLux

Advanced design ensures top performance and a noticeably brighter light beam.

Powered by a 300-watt Xenon source and with light delivery via multi-fiber cables, Philips Burton's XenaLux OR headlamp system offers superior intensity as well as remarkable reliability and value. The headlamp's optical system has a full range of articulation with a variable spot range, removable joystick adjustment and a new and improved vertically adjustable linkage arm for added reach and greater maneuverability. Unique design and optics allow the XenaLux Illuminator to provide superior features.

Headlamp Features

- Extremely bright light of 120,000+ lux (11,148 fc) at working distance
- Variable spot with flawless circular beam
- Very light weight right angle headlamp
- Preferred for comfort
- Compact optical system
- Fully-adjustable, uniquely-designed linkage arm allows for vertical adjustment of the optical module
- Adapts to any Wolf port
- Attractive, standard 3.5 bundle cables
- 3-year limited warranty

Illuminator Features

- Produces highest intensity white light of any 300-Watt Xenon source
- Long bulb life of 500 hours
- Quiet, cool venting system
- Rotary Turret for Wolf, Storz, Olympus, ACMI and Pilling connectors
- Hours-in-use meter
- Optional mobile floorstand offers vertical adjustment on upright assembly; the illuminator's shelf includes a handle for easy positioning
- 3-year limited warranty



Ordering information

| 120V Model | 230V Model | Description |
|--------------------|------------|-----------------------------------|
| XN10C | XN22C | Headlamp & Illuminator |
| XN10I | XN22I | Illuminator |
| XN10H | XN10H | Headlamp |
| Accessories | | |
| 0880300 | 0880300 | Mobile floorstand for Illuminator |

Magnifiers





Philips Burton's array of magnifiers feature higher-intensity lights combined with larger and sharper viewing areas. Designed to meet a multitude of medical applications with UV, LED and white light options, these magnifiers offer the portability and flexibility you need. Sturdy design ensures long-term value.

40 UV Light

42 Wave LED

43 Epic Magnifier



UV Light

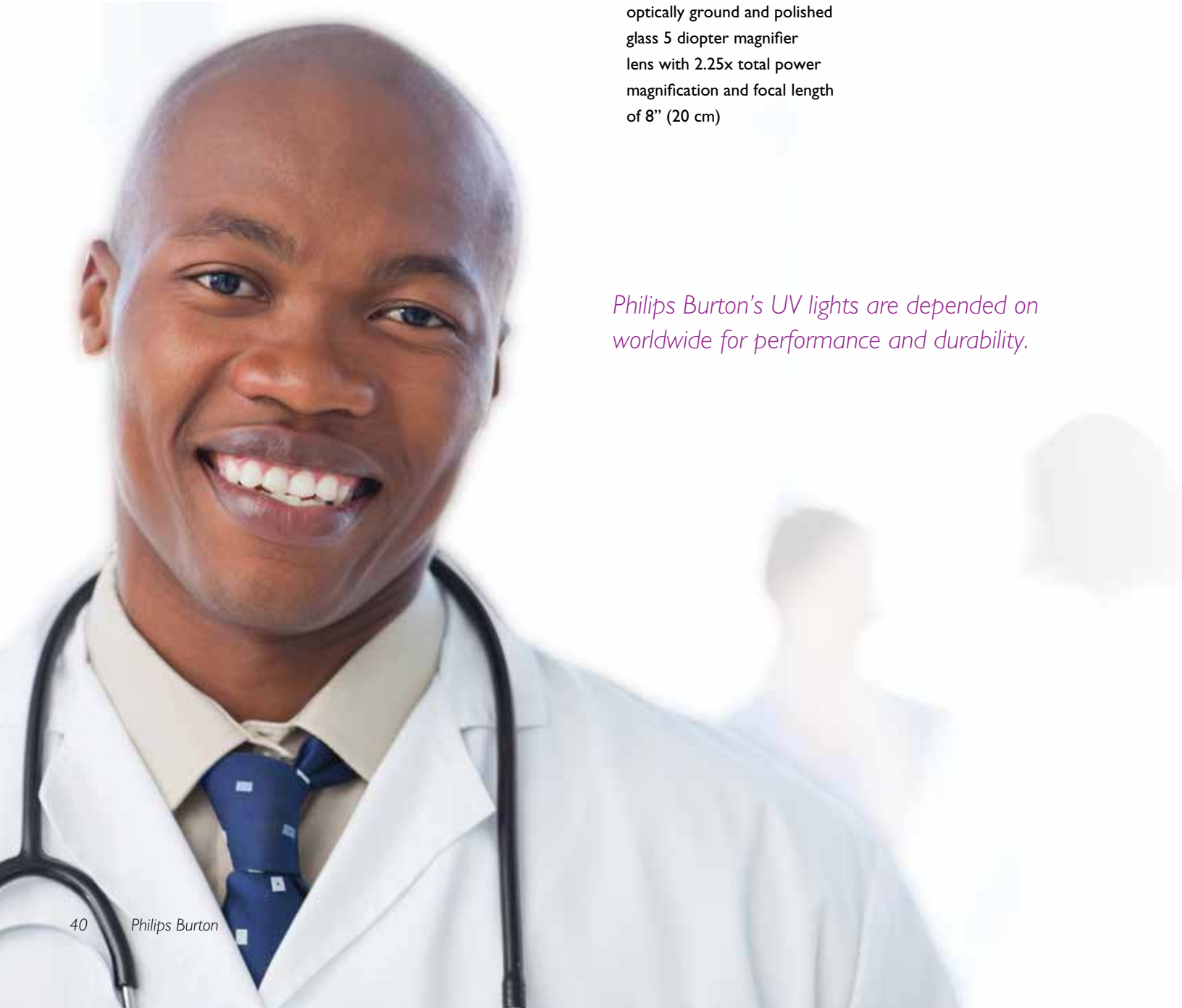
The ideal light for numerous applications.

Designed for a variety of uses, Philips Burton UV Lights are offered in models with magnifiers and white lights to best suit your needs. With hand-held flexibility, large magnification and a five-year limited warranty, this UV light provides great value for your facility.

Features

- Special fluorescent bulbs produce UVA at approximately 365 nm wavelength
- Available with magnifier and white bulbs
- 4-light magnifier models include optically ground and polished glass 5 diopter magnifier lens with 2.25x total power magnification and focal length of 8" (20 cm)
- 6000-hour average bulb life
- 120V model standard; 230 / 240V models available
- 5-year limited warranty
- Assembled in USA

Philips Burton's UV lights are depended on worldwide for performance and durability.





Model #UV502



Model #UV501

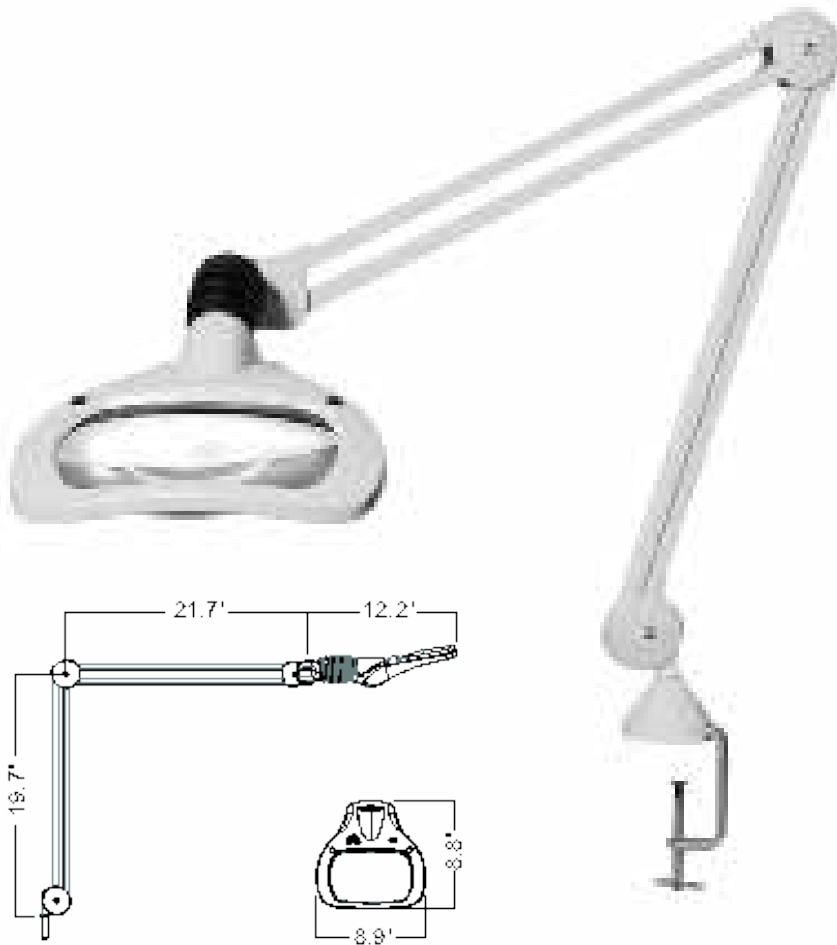
Ordering information

| 120V Model | 230/240V Model | Description |
|-------------|----------------|------------------------------------|
| UV501 | — | 2 UV bulbs without magnifier |
| UV502 | UV522 | 2 UV bulbs with magnifier |
| UV503 | UV523 | 2 UV, 2 white bulbs with magnifier |
| Accessories | | |
| 1007090 | | UV Light wall bracket |
| 0001127PK | | UV replacement bulbs, white, 4/box |
| 1003073PK | | UV replacement bulbs, UV, 4/box |

Wave LED

A large viewing area and LED energy saving technology.

The Wave LED has a new sleek head design to complement any office décor. Offered in a unique and powerful 3.5 diopter magnifier, the Wave LED is superior in both form and function. The dual independent LED light sources offer enhanced performance, as well as a user controlled energy saving option.



Features

- Shadow-free magnification using symmetrical lighting or 3-D magnification using asymmetrical magnification.
- Self-balancing shade and hands-free neck assembly make precise adjustments easy.
- 45° articulating K-arm standard.
- 6.75" x 4.5" rectangular white crown optical-quality glass lens.
- Equipped with two 6W individually controllable LED modules.
- Automatic 9/4 hour auto shut-off feature and (0-50-100%) step dimming to support energy savings.
- No drift spring-balanced arm allows complete freedom of movement.
- Standard table edge clamp mount included. Optional accessories available: surface mount bracket and weighted rolling floor stand.

Ordering Information

| 120V Model | Description |
|----------------------|---|
| WML35W45EC120 | Wave LED (standard table edge clamp mount included) |
| Optional Accessories | |
| WMLWFS | Weighted Floor Stand |
| WMLSMB | Surface Mount Bracket |
| WML4DS | 4 Diopter Lens |
| WML6DS | 6 Diopter Lens |
| WML10DS | 10 Diopter Lens |

Epic Magnifier

The perfect combination of world-class optics, precision movement and a large viewing area.

Philips Burton's Epic Magnifier commands attention based on aesthetics alone – but its real value lies in its world class optics, performance and precision movement. With its patented arm system, the Epic is more rugged than any other magnifier. The arm stops exactly where positioned and does not require constant tightening or lock mechanism adjustments.

Features

- 3.5 diopter magnifying lens
- Powerful 22-watt bulb with 10,000-hour average bulb life
- 6.5" (16.5 cm) diameter circular viewing area
- Quick start electronic ballast (flicker-free)
- Parallel motion, patented enclosed arm system
- Integral handles and cover for lens protection
- Available in floorstand and wall models
- UL 153 certified
- CE marked
- 1-year limited warranty



Ordering information

| 120V Model | Description |
|-------------|---|
| EM60FL | Floorstand |
| EM60W | Wall mount |
| Accessories | |
| 0009800PK | Epic Magnifier replacement bulbs, 120V, 2/box |
| 8970-001 | 4 diopter lens attachment |
| 8970-002 | 6 diopter lens attachment |

Light accessories

Philips Burton bulb packs (see replacement bulb matrix)

To ensure correct operation, prevent product failure and possible loss of warranty, use Philips Burton halogen replacement bulbs. Philips Burton bulbs are tested at our facilities to meet MIL-SPEC standards and are packed in custom boxes to signify they meet our performance requirements.

Disposable light handle covers

Save time by eliminating the need to autoclave handles and allow compliance with OSHA standards for sterile procedures.

| Model no. | Description | For use with |
|-----------|--------------------------------------|--|
| 0008100PK | Light handle covers, sterile, 25/box | AIM-50, AIM-100, AIM-200 OR, AIM LED, CoolSpot II, Outpatient II, APEX |

Replacement handles

| Model no. | Description |
|-----------|---|
| 1017040 | AIM-50 / AIM-100 / AIM-200 OR / AIM LED / APEX replacement handle |
| 1008466B | CoolSpot II replacement handle (shown) |
| 1008465 | Outpatient II replacement handle |

Drop tubes

| Model no. | Description | For use with |
|-----------|-------------------------------------|---|
| 4000071 | 10' ceiling drop tube | Nova Exam LED, Super Exam 50 LED, Super Exam 50 |
| 1017084 | 42" drop tube | AIM LED, AIM-50, AIM-100, AIM-200 OR |
| 1008259 | 42" drop tube | Outpatient II, CoolSpot II |
| 1008060 | Special length, max. 58", drop tube | Outpatient II, CoolSpot II |



Philips Burton bulb pack



Disposable light handle cover



CoolSpot II replacement handle



Replacement bulb matrix

Examination

| | | |
|--------------------------|------------|-------|
| AIM LED | #6000161 | 1/box |
| AIM-50 | #6000120PK | 3/box |
| Super Exam 50 | #4000061PK | 3/box |
| Super Bright Spot | #0007000PK | 4/box |
| Gleamer (standard spot) | #0009600PK | 4/box |
| Gleamer (wide beam spot) | #0009608PK | 4/box |
| Outpatient II | #0006130PK | 3/box |
| CoolSpot II | #0007006PK | 4/box |

Surgical

| | | |
|------------|------------|-------|
| AIM-100 | #1017111PK | 3/box |
| AIM-200 OR | #1017111PK | 3/box |
| APEX | #0002004PK | 6/box |

Magnifiers

| | | |
|----------------|------------|---------------|
| UV Light | #0001127PK | 4 white bulbs |
| | #1003073PK | 4 UV bulbs |
| Epic Magnifier | #0009800PK | 120V, 2/box |

Lighting solutions guide

| Dept./Specialty | Good | Better | Best |
|-------------------|---------------------------|----------------|----------------|
| Hospital | | | |
| G OR | AIM-200 OR (D) | APEX (S) | APEX (D) |
| Endo | AIM LED (D) | AIM-100 (D) | APEX (D) |
| Ortho | AIM-200 OR (S) | AIM-200 OR (D) | APEX |
| CVOR head | AIM-200 OR (S) | AIM-200 OR (D) | APEX |
| CVOR foot | AIM-200 OR (S) | AIM-200 OR (D) | APEX |
| Trauma | AIM LED (D) | AIM-100 (D) | APEX (D) |
| ED | Outpatient II/CoolSpot II | AIM LED (D) | AIM-100 (S) |
| LDR | Outpatient II | CoolSpot II | AIM LED |
| ICU | Outpatient II | CoolSpot II | AIM LED |
| Autopsy | Outpatient II | CoolSpot II | AIM LED |
| Cath | Outpatient II | CoolSpot II | AIM LED |
| ProCed | Outpatient II | AIM LED | AIM-100 |
| Exam | Gleamer | Nova Exam LED | Outpatient LED |
| Hospital | | | |
| Endo | AIM LED | AIM-100 | APEX |
| Plastic | AIM LED | AIM-100 | APEX |
| Optha | Outpatient II | AIM LED | AIM-100 |
| Ortho | AIM LED | AIM-100 (D) | AIM-200 OR (D) |
| G OR | AIM-100 | AIM-200 OR | APEX |
| Office | | | |
| Plastic | Outpatient II | AIM LED | AIM-100 |
| Derm | Outpatient II | CoolSpot II | AIM LED |
| Clinics | Outpatient II | CoolSpot II | AIM LED |
| OB/GYN | Gleamer | Nova Exam LED | CoolSpot II |
| Diag | Outpatient II | CoolSpot II | AIM LED |
| Exam | Gleamer | Nova Exam LED | Outpatient LED |
| Veterinary | | | |
| Major surgery | AIM-100 | AIM-200 OR | APEX |
| Minor surgery | Outpatient II | AIM LED | AIM-100 |
| Diag | Outpatient II | CoolSpot II | AIM-50 |
| Exam | Gleamer | Nova Exam LED | Outpatient LED |
| Dental exam | Super Exam 50 LED | Nova Exam LED | CoolSpot II |
| Magnifier | UV Light | Epic Magnifier | Wave LED |
| Dental | | | |
| Max | Outpatient II/CoolSpot II | AIM LED | AIM-100 |
| Exam | Gleamer | Nova Exam LED | CoolSpot II |

(D) = Double; (S) = Single



11500 Melrose Avenue, Franklin Park, Illinois 60131

Phone (800) 444-9909, FAX (800) 765-1770, burtonmedical.com

© 2016 Philips Burton. All rights reserved. Product designs protected by copyright.

We reserve the right to change details of design, materials and finishes.

LIT-0046, Rev. 7